

1-077 Compression Latch Pr20.1

Tool operable, Latch and unlatch indicators



Product Notes:

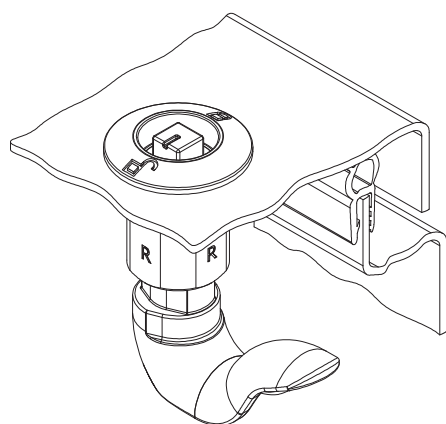
- Low profile
- Pre-assembled Quarter-Turn can be installed in cutout
- 6.5mm (0.256) compression
- Vibration resistant
- Colored marking on top indicates the opened/closed position
- Installed depth in opened position is 59mm
- Water and dust tight according to IP65, DIN EN 60529
- RH or LH version available
- Grounding achieved with grounding nut

Material:

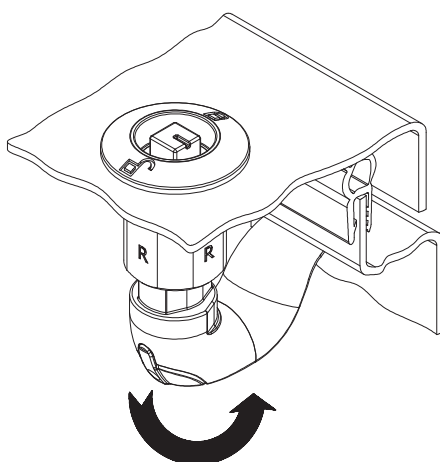
- **Housing, insert and cam:** Zinc Die, Chrome Plated
- **Plug:** PA6, Black
- **O-Rings and flat external seal:** NBR
- **Serrated lock washer:** Steel, Zinc Plated



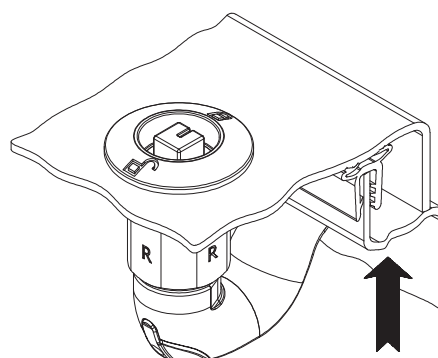
Operation



open, unlatched position



First 90° rotation: the cam latches behind the frame into the locked position. The door cannot be opened.



A further 90° rotation will pull the already latched cam 6.5mm/0.256 towards the frame: the seal is compressed, the door is latched and free of play.

Compression Latch with Insert and assembled cam:	H mm / inch	RH Part No.	LH Part No.	See Page
Insert - Square 8mm	22 / 0.866	248-9303.00-00022	248-9353.00-00022	
	24 / 0.945	248-9303.00-00024	248-9353.00-00024	
	26 / 1.024	248-9303.00-00026	248-9353.00-00026	
	28 / 1.102	248-9303.00-00028	248-9353.00-00028	
	38 / 1.496	248-9303.00-00038	248-9353.00-00038	
Insert - Tringular 8mm	22 / 0.866	248-9308.00-00022	248-9358.00-00022	
	24 / 0.945	248-9308.00-00024	248-9358.00-00024	
	26 / 1.024	248-9308.00-00026	248-9358.00-00026	
	28 / 1.102	248-9308.00-00028	248-9358.00-00028	
	38 / 1.496	248-9308.00-00038	248-9358.00-00038	
Insert - Conical square with serrated lock washer	22 / 0.866	248-9309.00-00022	248-9359.00-00022	
	24 / 0.945	248-9309.00-00024	248-9359.00-00024	
	26 / 1.024	248-9309.00-00026	248-9359.00-00026	
	28 / 1.102	248-9309.00-00028	248-9359.00-00028	
	38 / 1.496	248-9309.00-00038	248-9359.00-00038	
Other H-dimension + inserts on request	XX	248-93XX.00-000XX	248-93XX.00-000XX	
Serrated lock washer, anti-rotation device and dustcap are ordered separately				01.107
Key for insert				10.18

1-077 Compression Latch Pr20.1

Tool operable, Latch and unlatch indicators

